

LARGE FLUSH WOOD NEXGEN-FYRE™



One of the Cleanest Burning Large Wood Inserts on the Planet

When compared to any other large wood insert on the market, you will find that our Large Flush NexGen-Fyre™ Insert offers you the best choice in looks, construction, and performance. The flush design does not extend onto the hearth to offer a classic, finished look. NexGen-Fyre™ technology and premium quality materials combined with beauty and optimum performance bring you a 'best in class' insert that will heat your home for years to come. Available in arched or rectangular door designs.

This model is sold under both the Logi® and Fireplace Xtrordinaire® brands. They feature identical bodies and the only difference is your choice of face designs. We have combined all of the face designs in this catalog so you can easily choose the look that best fits your home decor.

Options

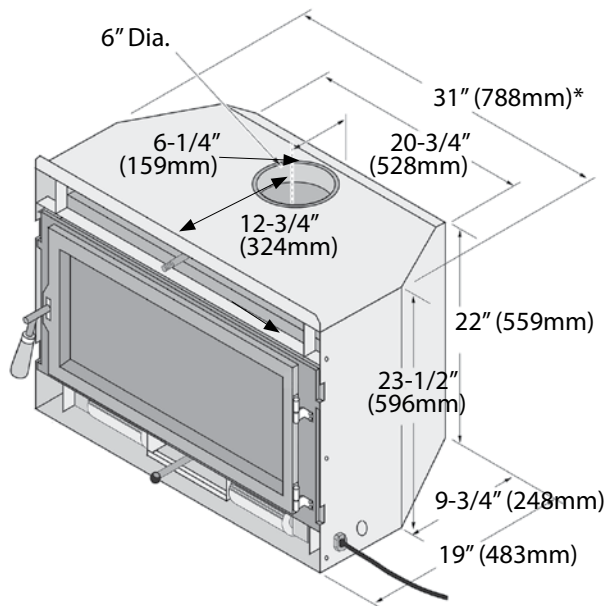
- Seven Logi® and Fireplace Xtrordinaire® face designs to choose from (see pages 10 & 11)
- One Piece Finish Panels (custom panels also available through your local dealer)
- **GREEN START™** Igniter
- Hidden Wiring Kit

Specifications

Emissions*:	1.7 Grams Per Hour (Cord Wood)
Heating Capacity:	1,500 to 2,500 Square Feet
Heat Output:**	17,900 to 66,736 BTU's Per Hour
Maximum Burn Time:	Up to 12 Hours
Firebox Size:	3.0 Cubic Feet
Maximum Log Size:	24 Inches
Weight:	530 Pounds
Construction:	5/16" to 1/4" Steel Plate
Bypass Damper	Yes
Efficiency*:	HHV: Up to 73%, LHV: Up to 79% (see page 14)
Glass Viewing Area:	24-1/2" W x 13" H (307 Sq. In. Arch, 319 Rect.)

* Overall Efficiency (HHV and LHV) as tested using B-415.1 using Cord Wood

**EPA tests to determine BTU output are achieved with a single load of wood at each burn rate. At home, you are likely to add more wood to your insert to maintain your desired comfort level. By the simple process of loading your fireplace insert with additional wood, you could achieve up to a 20% higher heat output than established during EPA testing.



*You will need a fireplace opening 40-3/4" wide if you are using the GreenStart® Igniter option.

