

1. Specifications

Input Rates

Natural Gas

15,800 BTU/hr. minimum input
24,000 BTU/hr. maximum input

Propane

19,800 BTU/hr. minimum input
24,000 BTU/hr. maximum input

Inlet Pressure:	MIN	MAX
Natural Gas:	5.0 WC (1.25 kPa)	7.0 WC (1.74 kPa)
Propane:	11.0 WC (3.0 kPa)	14.0 WC (3.48 kPa)

Manifold Pressure:	MIN	MAX
Natural Gas:	1.6 WC (.40 kPa)	3.50 WC (.87 kPa)
Propane:	6.4 WC (1.59 kPa)	10.0 WC (2.49 kPa)

- SIT Proflame 2 Intermitent Pilot Ignition - 120V / 60 Hz
- Steady State Efficiency: 74.49% NG / 74.18% LP
- AFUE Efficiency: 66.60% NG / 66.40% LP
- CSA P4. 1-15 Fireplace Efficiency:
NG - 67.91% LP - 68.53%
- Factory Air Shutter Open Settings: NG - 0" LP - 1/16"
- Continuous Pilot Ignition Mode (CPI) is available
- Power Requirement: 120 VAC
Back-up Battery Pack: 4, AA - 1.5v ea.
- Ambient Temperature Range: 32 -122°F (0 - 50°C)

Miscellaneous Hardware Bag Contents

- Fuel Conversion Kit , LP158057
- Rock Wool Embers, 1 oz. 157259
- 1.5v AA Alkaline Batteries, 4 224109
- Remote Control Transmitter157495
- Remote Transmitter Wall Bracket 223951BKP
- Door Adjustment Washers, 3117587
- GF 160 DV IPI Manual.....139894
- Top Plate Grill, 2 : Matte Black 22299592
- Touch-up Paint, White (*White Enamel only*)

Options & Accessories

- Log Set 158045
- Tumbled Stones 158054
- River Rock Set158055
- Clear/White Glass 156815
- Black Glass 157342
- Skamol Panel Set.....158046
- Black Reflective Panel Set157965
- Fuel Conversion Kit , LP158057
- Fuel Conversion Kit, NG - 158058
- High Altitude Adjustment Kit, LP 158059
- High Altitude Adjustment Kit, NG 158060
- Mobile Home Leg Bracket Kit 158074

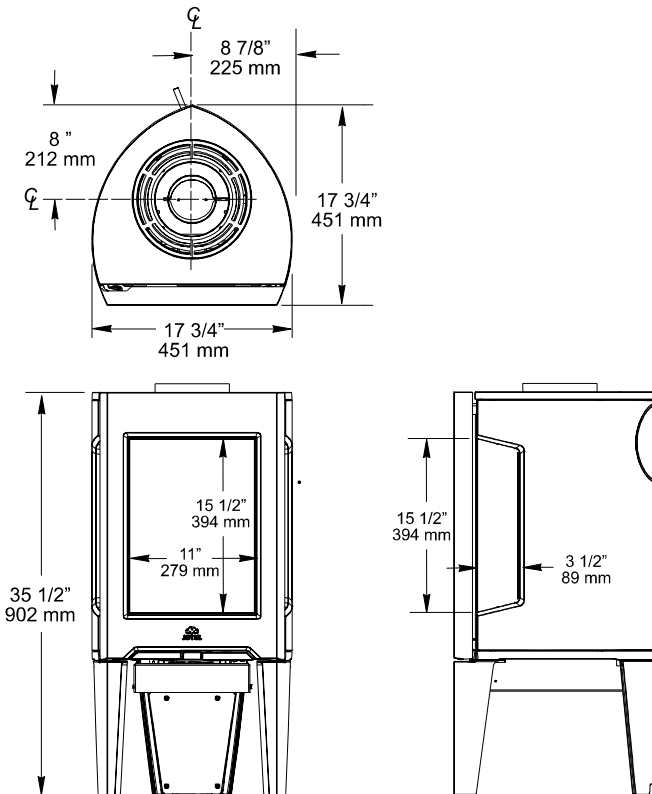



Figure 1.1 Dimensioned views, GF 160 DV IPI



SAFETY BARRIER SCREEN
The front door and side glass panels of this appliance are equipped with integrated Certified Safety Barrier Screens which must remain installed at all times. Should a screen become damaged, contact your authorized Jøtul dealer for original equipment replacement assemblies.

5. Installation Requirements

Location

In selecting a location for the stove, consider the following points:

- 1) Heat distribution
- 2) Vent termination requirements
- 3) Gas supply line routing
- 4) Traffic areas, furniture, draperies, etc.

The stove may be located on or near conventional construction materials, however, proper clearance to combustibles must be maintained in order to provide adequate air circulation around the appliance. Also, it is important to provide adequate access around the stove for servicing and operation.

The clearance and hearth specifications listed in this manual are the minimum requirements for combustible material. A combustible material is anything that can burn (i.e. sheet rock, wall paper, wood, fabrics etc.). These surfaces are not limited to those that are visible and also include materials that may be located behind non-combustibles.

If you are not sure of the combustible nature of a material, consult your local fire officials. Remember, "Fire Resistant" materials are considered combustible: they are difficult to ignite, but will burn. Also, "fire-rated" sheet rock is considered combustible.

Floor Protection

This appliance MAY NOT be installed directly on carpeting, vinyl, or linoleum. If this appliance will be installed on any combustible material OTHER THAN WOOD, a floor pad must be installed that is either metal, wood, ceramic tile, stone, or a listed hearth pad. This floor protection must extend the full width and depth of the appliance. It is not necessary to remove carpeting, vinyl, linoleum or laminate from underneath the floor protection. See fig. 5.1.

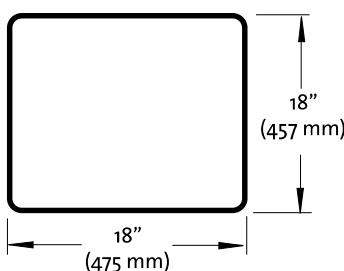


Figure 5.1. Minimum combustible floor protection.

Stove and Vent Clearance Requirements

Minimum Clearances from the Stove to Combustibles:

		Measured from:
Rear:	2" (51 mm)	Rear Shroud
Ceiling:	33 1/2" (850 mm)	Top Plate
Corner:	3 3/8" (86 mm)	Side Plate
Side:	7 3/8" (187 mm)	Side Plate

Minimum Clearances between Vent Pipe and Combustible Materials:

Horizontal Run:

Off the top of the pipe	2" (51 mm)
Off the sides and bottom	1" (25 mm)

Vertical Run:

All sides	1" (25 mm)
-----------	------------

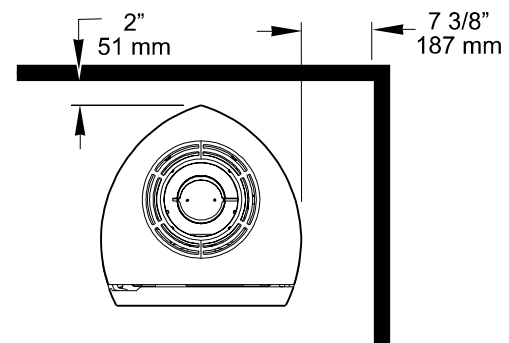


Figure 5.2 Parallel Clearances

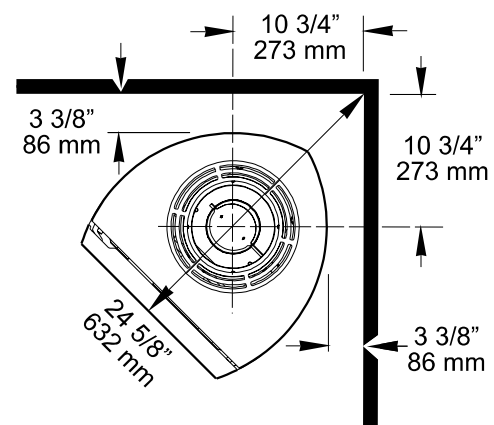


Figure 5.3. Corner Wall clearances.

Alcove Installation

- Maximum Alcove Depth: 24" (607 mm)
- Minimum Alcove Width*: 32 1/2" (826 mm)
- Minimum Alcove Ceiling Height from floor: 69" (1752 mm)

* Alcove clearances are determined through testing in specific construction configurations which often result in greater clearances than an open stove installation.

Clearance to Combustible Materials Above Stove

Minimum Mantle Height from floor: 46 3/4" (118.74 cm) with 24" (610 mm) maximum mantle depth.

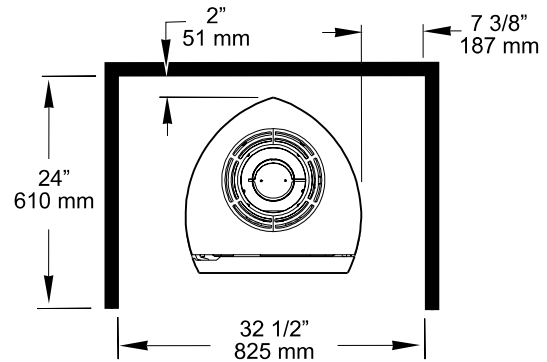


Figure 5.4 Alcove Clearances.

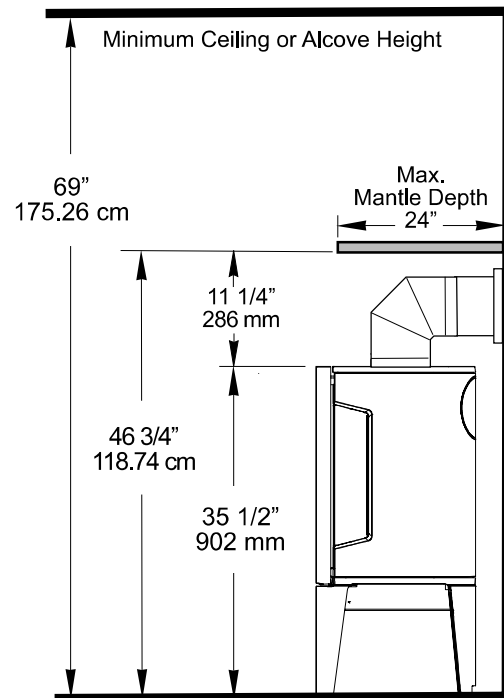


Figure 5.5. Mantel and Ceiling Clearances.